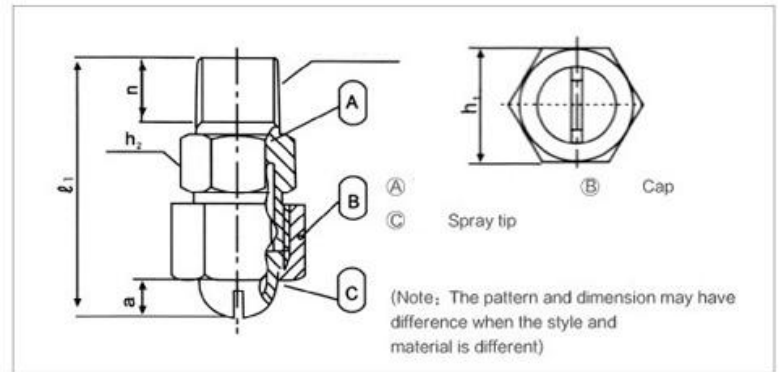


## Stainless Steel Flat Jet Steam Air Nozzles



**K1**

K1 Series	
Structure	The structure is composed of spray tip, nozzle cap and the joint part. only need to change the wearing spray tip nozzle cap and the joint part can be replaced with three-piece suit of standard flat fan nozzle (for liquid).
Material	Brass, 303/304 or 316 stainless steel or others
Thread dimension	1/4 3/8



### Performance Data

Thread dimension	Slot width (mm)	Air flow rate(L/min)			Vapour flow rate(L/hour)			The coverage at 150mm to nozzle			
		1bar	2bar	3bar	7bar	1bar	2bar	4bar	7bar	1bar	4bar
<b>L</b>	0.20	21	38	65	102	0.75	1.4	2.3	3.7	275	419
<b>P</b>	0.33	41	60	99	153	1.5	2.1	3.6	5.5	152	254
<b>Q</b>	0.58	77	111	190	305	2.8	4.0	6.8	11.5	228	330
<b>R</b>	1.1	132	198	345	540	4.7	7.1	12.3	19.5	158	241
<b>U</b>	1.1	210	335	570	880	7.6	12.0	20.3	32	275	368
<b>V</b>	2.3	430	700	1150	1725	15.3	25	42	63	238	343

Stainless Steel Flat Jet Steam Air Nozzles have the following features:

- Flat fan spray of air or steam or vapour
- 1/4' ' and 3/8' ' thread sizes are available
- It is composed of body, cap and spray tip .
- Standard working pressure of Stainless Steel Flat Jet Steam Air Nozzles is 3 bar. Max pressure for Noise Reduction Round Compressed Air Nozzles is 30 bar
- Max operating temperature is 250°C
- General Application :  
Dedusting or clean  
Air curtain  
Drying  
Cooling